
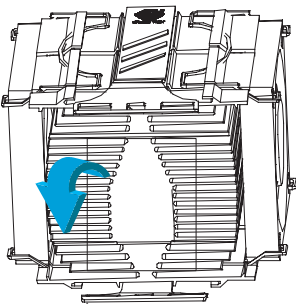


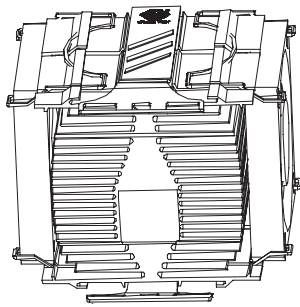
TAK Series

Mounting Instructions

- 1**  **Make sure the thermal tape is in proper position and not damaged.**
First tear off the plastic protection layer. See Drawing 1. Be sure the thermal paste is in the middle of the heatsink, see Drawing 2.

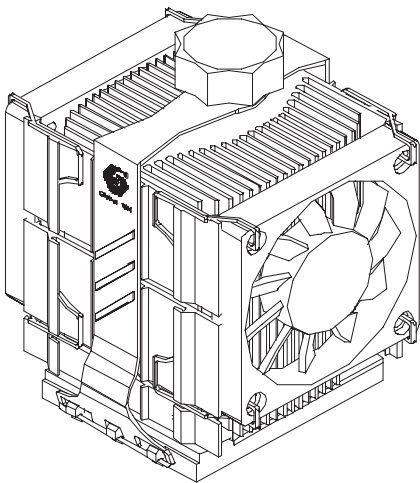


1



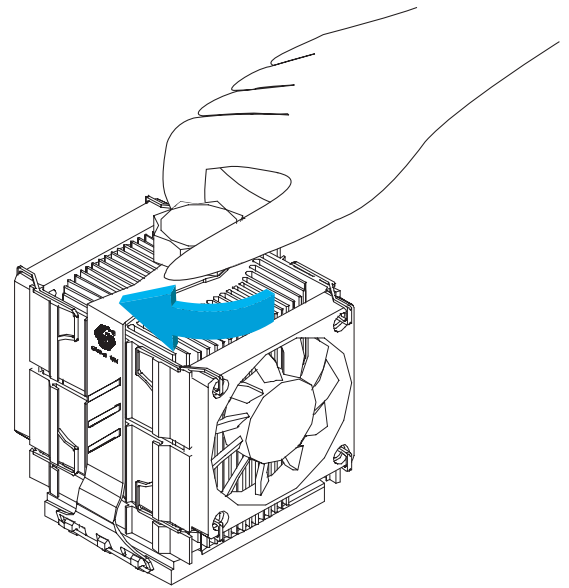
2

- 2** Position the heatsink on top of the CPU, line up the heel end of the heatsink clip with socket Tabs B, see Drawing 3.



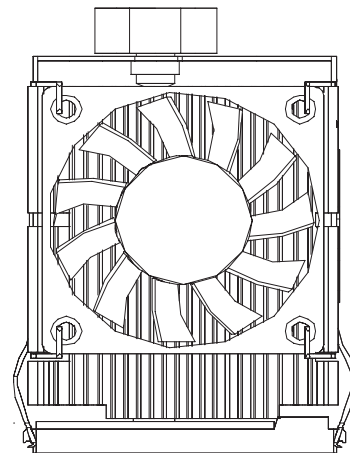
3

- 3** Rotate the plastic screw right tightly, see Drawing 4.



4

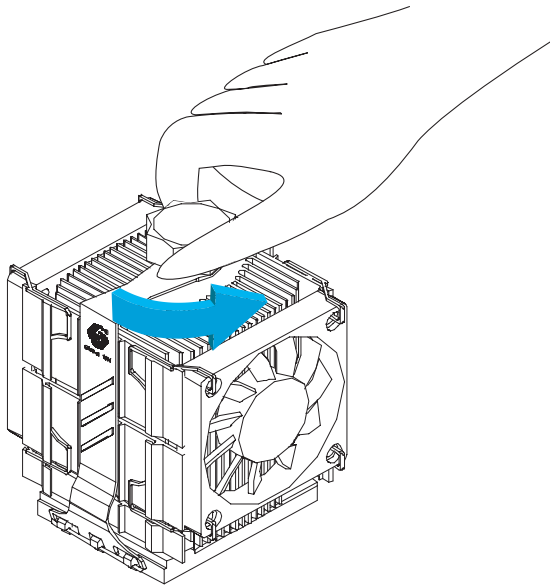
- 4** Completion will look like Drawing 5.



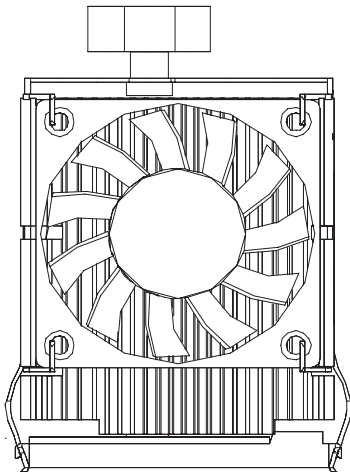
5

Disassembling Instructions

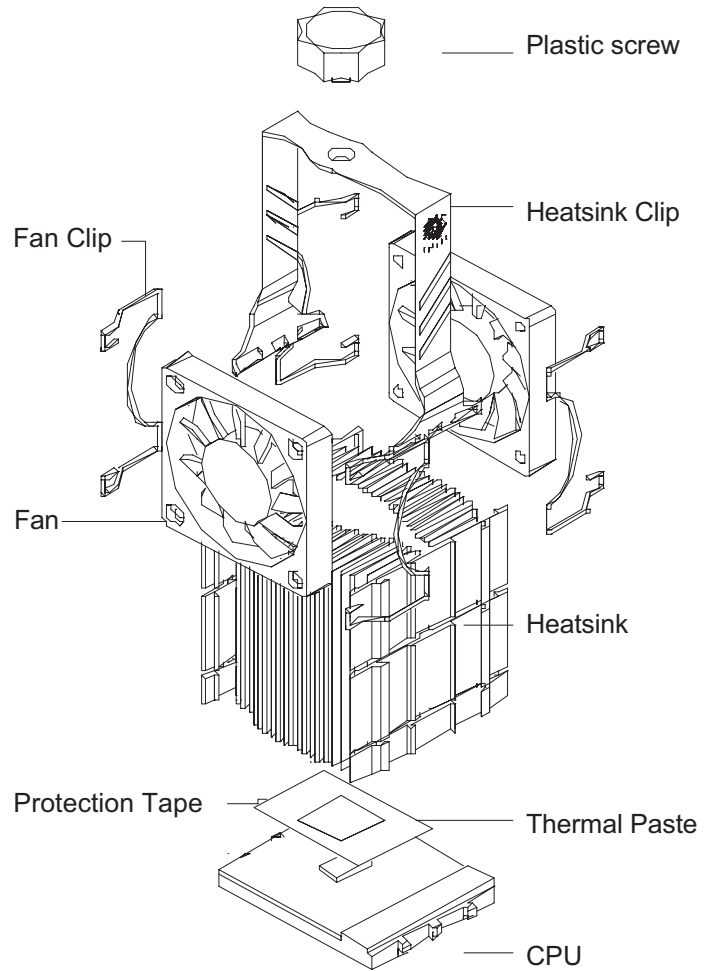
- 1 Rotate the plastic screw left to untighten the heatsink clip from socket, see drawing 6.



- 2 To complete the disassembling, see Drawing 7.



Structure



Global WIN Technology Co., Ltd.
5F, No. 31, Alley 66, Jui-Kuang Road,
Nei-Hu, Taipei, Taiwan, R.O.C.
Tel: 886-2-2795-6311 Fax: 886-2-2795-5499
www.globalwin.com.tw