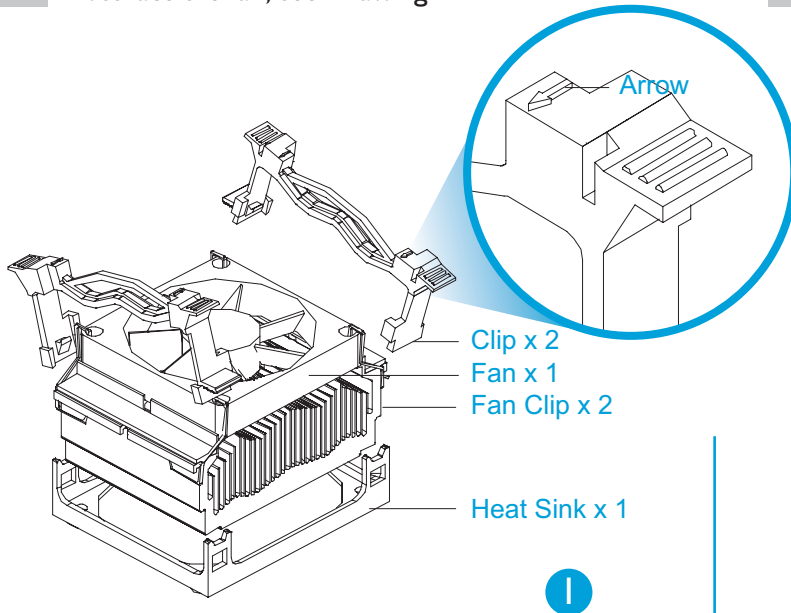


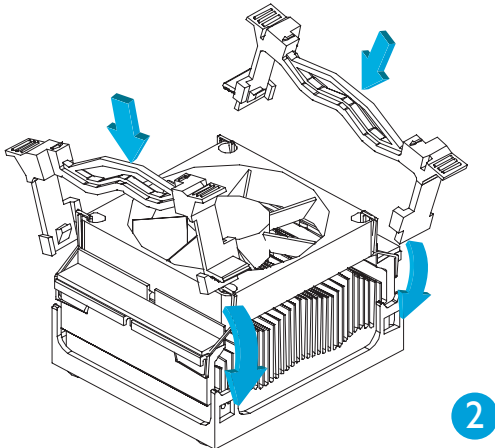
Pentium 4 Series

Mounting Instructions

- 1** Put cooler into the Retention Module evenly. The concave side of the plastic clip, or the arrow, must face the fan, see Drawing 1



- 2** Insert one side of the plastic clip into the hole in the Retention Module, and then buckle another plastic clip to another hole in the Retention Module, see Drawing 2.



- 3** Upon completion the assembly should look like Drawing 3 and Drawing 4.

