
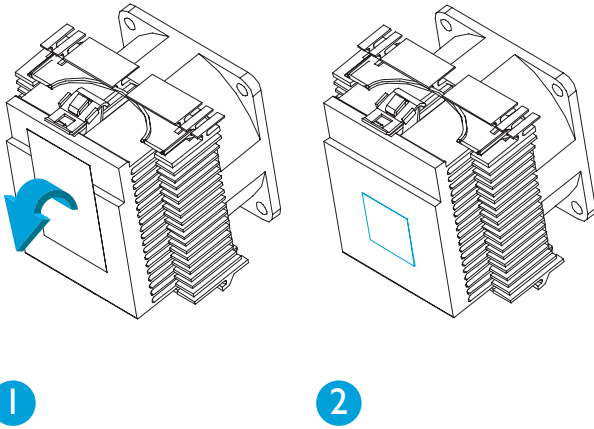
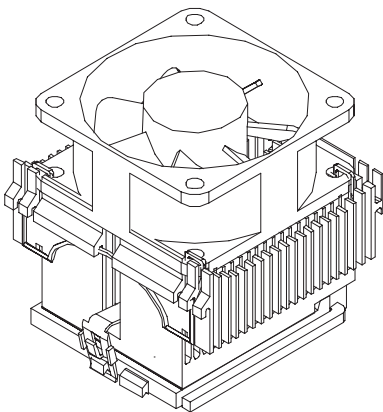


Mounting Instructions

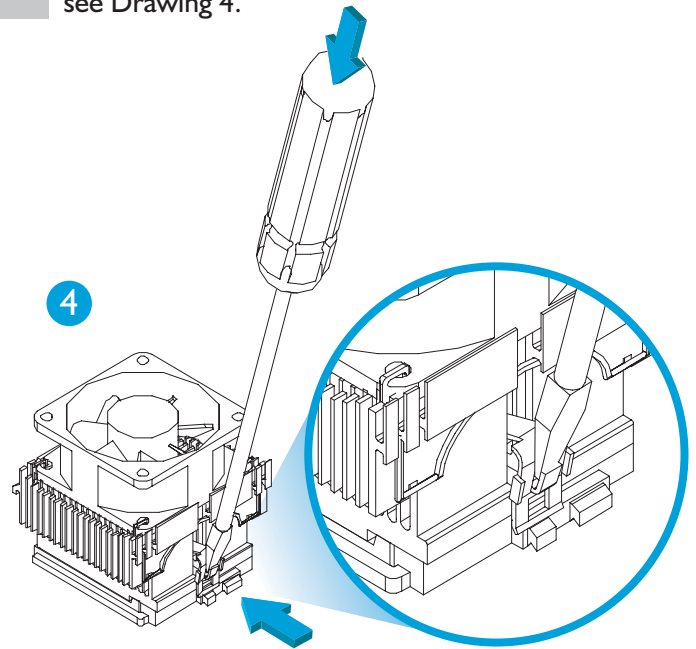
- 1**  **Make sure the thermal tape is in proper position and not damaged.**
First tear off the plastic protection layer. See Drawing 1. Be sure the thermal paste is in the middle of the heatsink, see Drawing 2.



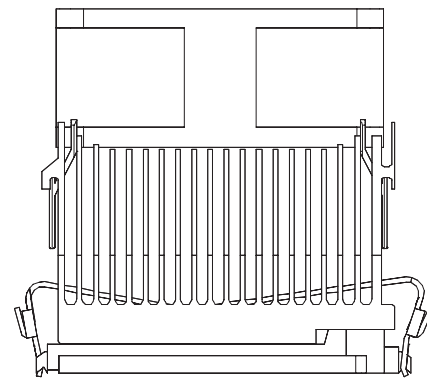
- 2** Position the heatsink on top of the CPU, line up the heel end of the heatsink clip with socket Tabs B, see Drawing 3.



- 3** Use a screwdriver to press down the board in front of the heatsink clip to lock with sock please see Drawing 4.

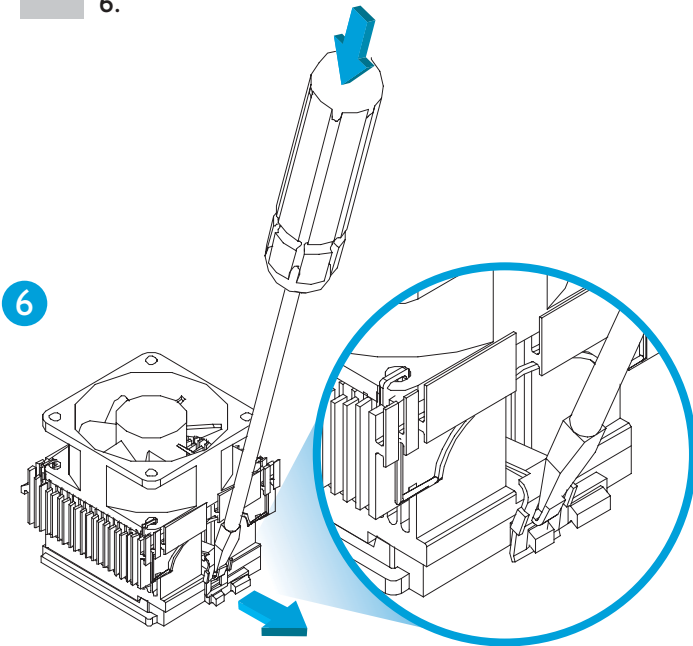


- 4** Completion will look like Drawing 5.

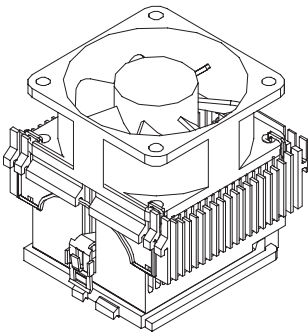


Disassembling Instructions

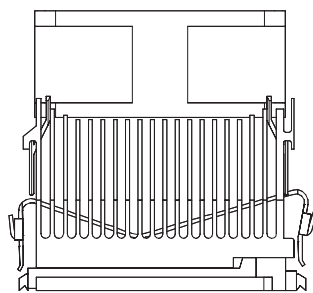
- 1 Press down the screwdriver to dislodge the board front of the heatsink clip from socket see Drawing 6.



- 2 Then separate the heel side of the heatsink clip from the socket Tabs B, see Drawing 7 to complete the disassembling. See Drawing 8 for the completion of disassembling.

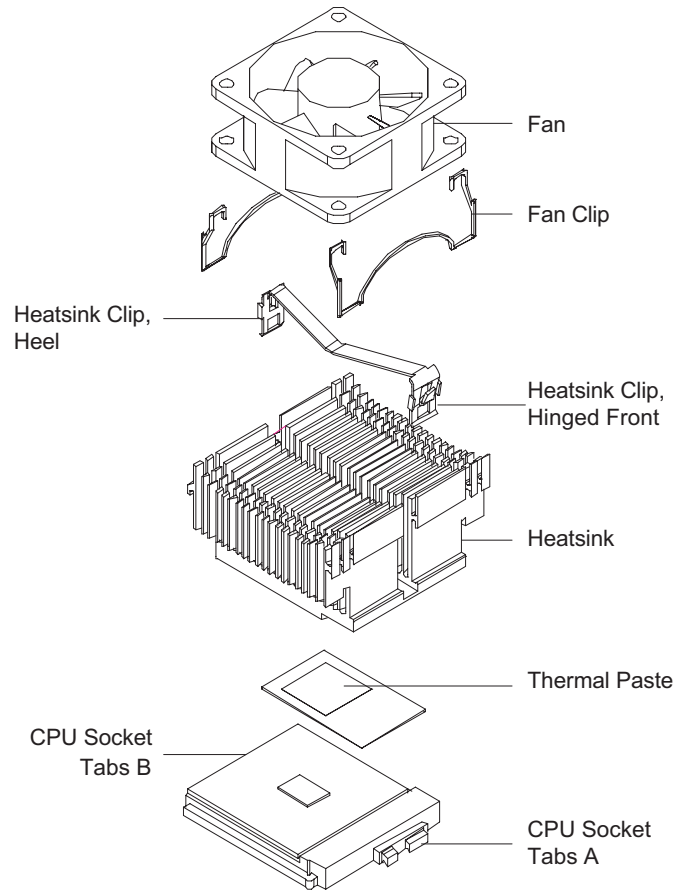


7



8

Structure



Global WIN Technology Co., Ltd.
5F, No. 31, Alley 66, Jui-Kuang Road,
Nei-Hu, Taipei, Taiwan, R.O.C.
Tel: 886-2-2795-6311 Fax: 886-2-2795-5499
www.globalwin.com.tw