

Sapphire450 18dBA Extreme Silent 450W-P4/K8 Specification

ATX12V – V1.3 Switching Power Supply

Version-1.0

Contents

1. General Specification	3
1.1 Physical Dimension	3
1.2 DC Connector Pin Description	4
1.3 Environmental	5
1.3.1 Operating	5
1.3.2 None Operating	5
1.4 ATP (Asynchronous Thermal Protection).....	5
1.4.1. ATP protection function.....	5
1.4.2. ATP extreme quiet function.....	5
1.5 Reliability / Mean Time Between Failure (MTBF)	6
1.6 EMI	6
1.7 Safety / Agency Approvals	6
1.8 Warranty	6
2. Introduction	7
2.1 Scope	7
2.2 General Description	7
3. AC Input	7
3.1 Voltage Range	7
3.2 Frequency Range	7
3.3 Input Waveform	7
3.4 Input Current	7
3.4.1 Steady-state Current	7
3.4.2 Cold Start Inrush Current	7
3.4.3 Warm Start Inrush Current	7
3.4.4 Power Factor Correction (PFC)	8
3.4.5 Input Overcurrent Protection	8
3.4.6 Withstand Voltage	8
3.4.7 Catastrophic Failure Protection	8

Sapphire450 18dBA Extreme Silent 450W-P4/K8 Specification

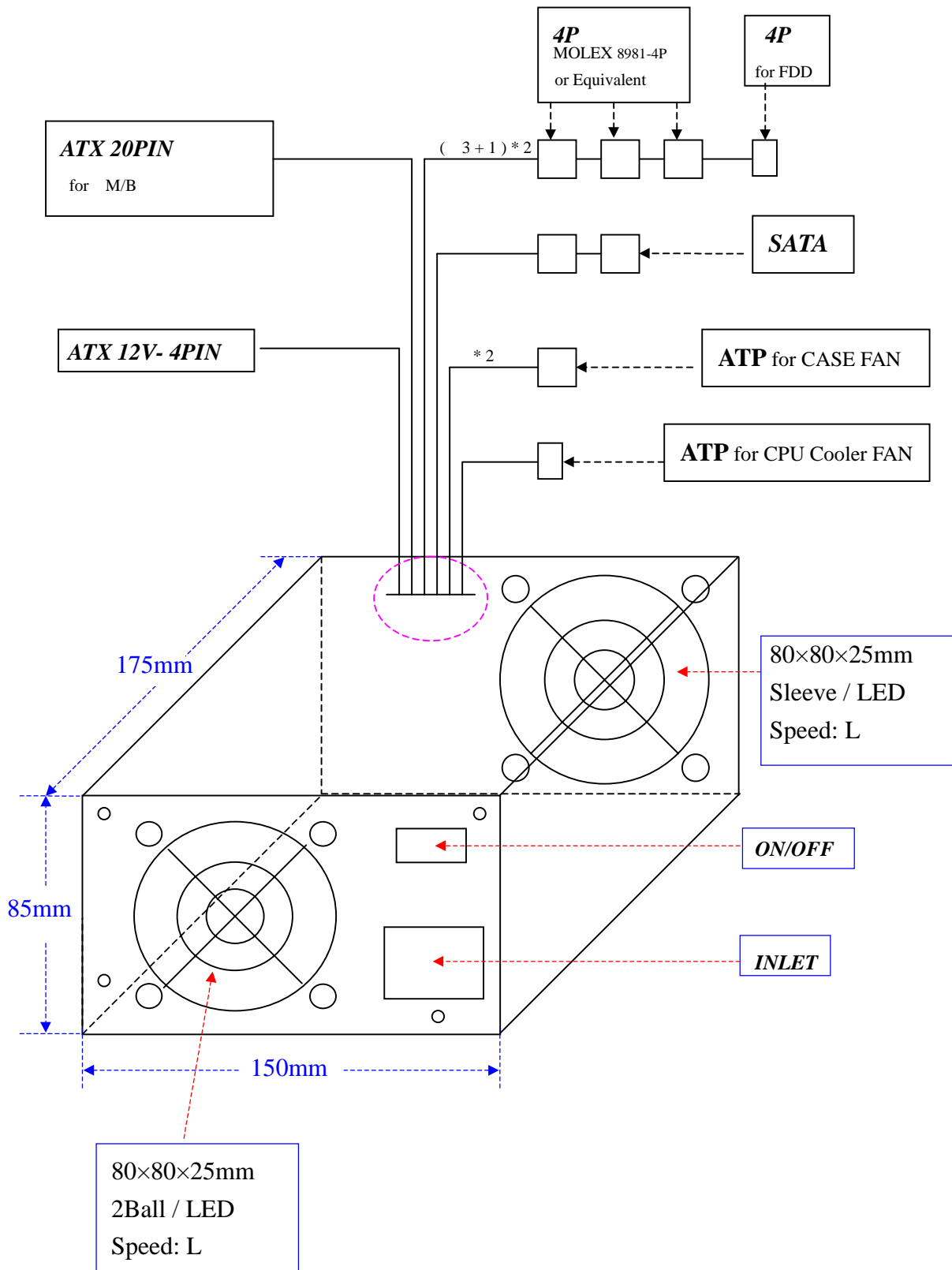
ATX12V – V1.3 Switching Power Supply

Version-1.0

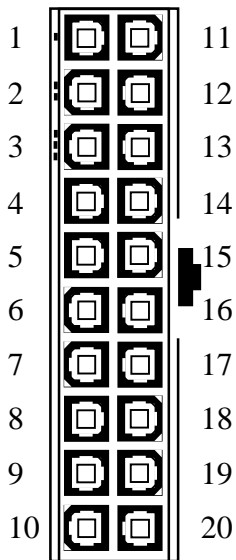
4. DC Output	9
4.1 Output Voltage	9
4.2 Output Regulation	9
4.2.1 Output Voltage Load Regulation	9
4.2.2 Output Voltage Line Regulation	10
4.2.3 Cross Regulation	10
4.3 Efficiency	10
4.4 Output Periodic And Random Deviation (PARD)	10
4.4.1 Common Mode PARD (Noise)	10
4.4.2 Differential Mode PARD (Ripple)	11
4.5 Output Transient Response	11
4.6 Close-loop Stability	12
4.7 Voltage Hold-up Time	12
4.8 Power Sequencing	12
4.9 Timing / Housekeeping / Control	12
4.9.1 PWR_OK	13
4.9.2 PS_ON # Signal	13
4.9.3 +5VSB	13
4.9.4 Power –on Time	13
4.9.5 Output Risetime	14
4.9.6 Overshoot at Turn-on / Turn-off	14
4.9.7 Reset after Shutdown	14
4.10 Output Protection	14
4.10.1 Over Current Protection	14
4.10.2 Over Voltage Protection	14
4.10.3 Short Circuit Protection	15

1. General Specifications

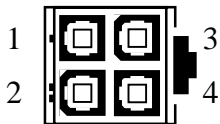
1.1 Physical Dimension



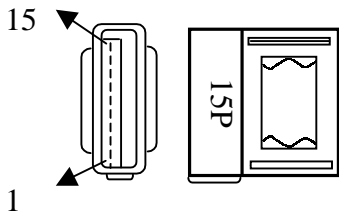
1.2 DC Connector Pin Description



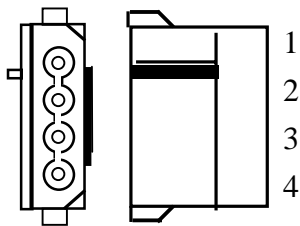
Pin	Color	Signal	Pin	Color	Signal
1	Orange	+3.3VDC	11	Orange Brown	+3.3VDC +3.3V default sense
2	Orange	+3.3VDC	12	Blue	-12VDC
3	Black	COM	13	Black	COM
4	Red	+5VDC	14	Green	PS_ON/OFF
5	Black	COM	15	Black	COM
6	Red	+5VDC	16	Black	COM
7	Black	COM	17	Black	COM
8	Gray	PWR_OK	18	White	-5VDC
9	Purple	+5VSB	19	Red	+5VDC
10	Yellow	+12VDC	20	Red	+5VDC



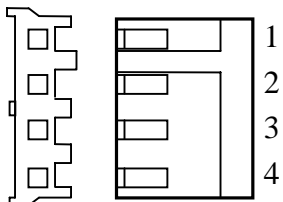
Pin	Color	Signal	Pin	Color	Signal
1	Black	COM	3	Yellow	+12VDC
2	Black	COM	4	Yellow	+12VDC



Pin	color	Wire Size	Signal
2	BL	UL1007#18AWG	GND
3	Red	UL1007#18AWG	+5V
4	BL	UL1007#18AWG	GND
5	YL	UL1007#18AWG	+12V



Pin	Color	Signal	Pin	Color	Signal
1	Yellow	+12VDC	3	Black	COM
2	Black	COM	4	Red	+5VDC



Pin	Color	Signal	Pin	Color	Signal
1	Red	+5VDC	3	Black	COM
2	Black	COM	4	Yellow	+12VDC

1.3 Environmental

1.3.1 Environmental (Operating)

Temperature: 0°C to 50°C

Humidity: 20% to 80% Relative Humidity (non condensing)

Altitude: -61meters to +3,048 meters

Shock: T.B.S.

Vibration: T.B.S.

1.3.2 Environmental (Non-Operating)

Temperature: -25°C to 85°C

Humidity: 10% to 90% Relative Humidity (non condensing)

Altitude: -61meters to +15,244 meters

Shock: T.B.S.

Vibration: T.B.S.

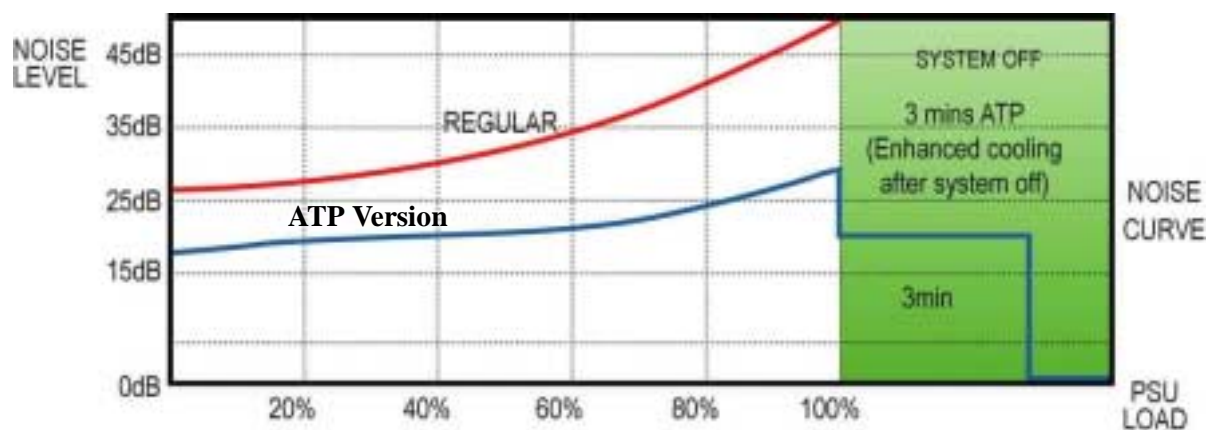
1.4 ATP (Asynchronous Thermal Protection)

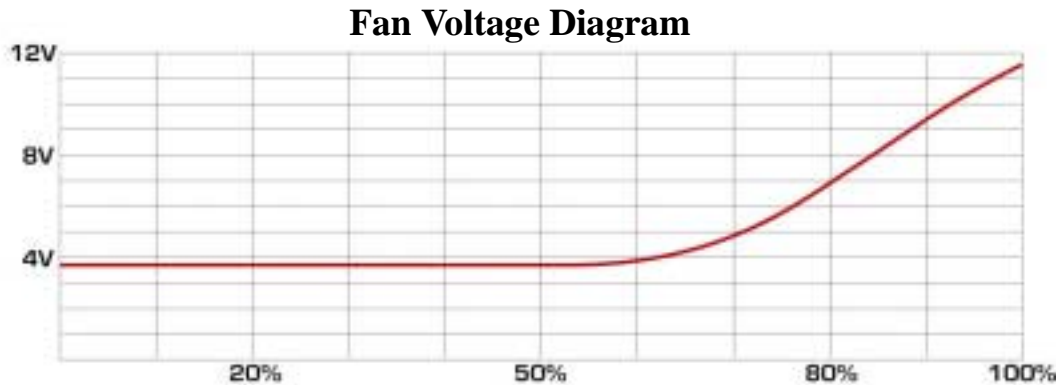
1.4.1. ATP protection function

- A. Provide 3 more minutes power to keep rotating cooling fan(s) for heat dissipation after your system off.
- B. Prevent temperature from keeping rising after system off, like your CPU, chipsets, VGA. Micro IC,....
- C. Prolong the life circle of your computer and no suffering from invisible damage by overheat.
- D. In order to prolong the fan's life cycle, the power supply is facilitated with a thermostatic circuitry to monitor the fan speed under the power supply operating temperature.

1.4.2. ATP extreme quiet function

- A. ATP Fan Control keeps the noise level below 23 dBA at 80% load of **Sapphire450**.
- B. Special thermal controlled case fan connectors to minimize noise from case fan(s) .





1.5 Reliability / MTBF

The power supply reliability is based on the calculation with the Part-Stress Analysis method of MIL-HDBK-217F using the quality factors listed in MIL-HDBK-217F. The power supply MTBF is 140,000 hours under the following conditions:

- Full-rated load
- 220VAC (or 110VAC) input
- Ground begin
- 25°C ambient
-

1.6 EMI

The power supply is complied with CISPR 22, Class B. Tests are performed at 110VAC 50Hz, 120VAC 60Hz, and 220VAC 50 Hz power.

The **Sapphire450** (w/PFC) version meets the requirement of EN 61000-3-2 Class D, and EN 61000-3-3, and the Guidelines for the Suppression of Harmonics in Appliances and General Use Equipment Class D for harmonic line current content at full-rated power..

1.7 Safety / Agency Approval

UL	1950
CSA	C22.2
ICE	950
TUV	EN60950
CE	EN 61000-3-2/1995, EN 61000-3-3/1995 EN 55024/1998, EN 5022/1994+A1: 1995+A2: 1997
FCC	Part 15, Subpart B, Class B CISPR 22: 1993+A1: 1995+A2: 1996, Class B ANSI C63.4-1992

1.8. Warranty : 3 years

IMPORTANT :

Do not remove the 『Warranty void if removed』 sticker, or we won't take charge of RMA

2. Introduction

2.1 Scope

This specification defines the performance and characteristic for the model of **Sapphire450 ATX12V – Version1.3** power supply.

2.2 General Description

Sapphire450 is a switching power supply, 450W self-contained, AC to DC power source Supply suitable for mounting in PC, Server system and IPC Chassis.

3. AC Input

3.1 Voltage Range

EU Version (220VAC) :190VAC ~ 264VAC (w/ EU Active PFC Version)

Auto Version (110VAC~220VAC) :95VAC ~ 250VAC (w/ Auto Active PFC Version).

3.2 Frequency Range

Frequency range: 47Hz – 63Hz

3.3 Input Waveform

Input waveform: Sine wave, modified sine wave or square wave

3.4 Input Current

3.4.1 Steady-state Current

Maximum current at 115 VAC (RMS): 12A

Maximum current at 230 VAC (RMS): 6A

3.4.2 Cold Start Inrush Current

Maximum inrush current at 115 VAC: 30A

Maximum inrush current at 230 VAC: 60A

Inrush duration: 200 ms

* Measured at 25°C ambient cold start, power supply has been off for 60 seconds or longer.

3.4.3 Warm Start Inrush Current

Maximum inrush current at 115 VAC: 35A

Maximum inrush current at 230 VAC: 70A

Inrush duration: 200 ms

* Measured at 25°C ambient cold start, power supply has been off for 200ms to 60 seconds.

3.4.4 Power Factor Correction (PFC)

Sapphire450 (w/PFC) *Version1.3* is facilitated with the auto input 95VAC ~ 250VAC active PFC with the PF value ≥ 0.960

115V (Nominal) Operation

PFC reaches 96.0% at 115V, 60Hz, under full output loading in accordance with the EN 61000-3-2, class D standards.

230V (Nominal) Operation

PFC reaches 96.0% at 230V, 50Hz, under full output loading in accordance with the EN 61000-3-2, class D standards.

3.4.5 Input Overcurrent Protection

The power supply is equipped with a non-reset-able fuse on the AC input to limit power consumption on a failure within the power supply module.

Input Fuse Rating:

Voltage	250 V
Current	12 A
De-activation time	200 ms

3.4.6 Withstand Voltage

The power supply is capable of withstanding a maximum 2200 VDC potential between the input and ground for a period of 1 minute.

3.4.7 Catastrophic Failure Protection

If a component failure occurs, the power supply will not exhibit any of the following:

- * Flame
- * Excessive smoke
- * Charred PCB
- * Fused PCB conductor
- * Startling noise
- * Emission of molten material

4. DC Output

4.1 Output Voltage

Table 1 below summarizes the minimum DC output voltages and associated power requirements for each output.

DC Nominal Voltage	Minimum Current	Maximum Current
+12 V DC	0.1 A	22.0 A
+5 V DC	0.5 A	45.0 A
+3.3 V DC	0.3 A	28.0 A
- 5 V DC	0.0 A	0.8 A
- 12 V DC	0.0 A	1.0 A
+5 V SB	0.0 A	2.5 A

- (+ 5V and +3.3V combined output 220W)
- (+ 5V and +3.3V and +12V combined output 430W)

Table 1. DC Output Specifications

NOTE: Peak current is limited to total duration of 60 seconds from the instance of PWR_OK driven true. The power supply is able to sustain maximum current for an unlimited time after these initial 60 seconds.

4.2 Output Regulation

The DC voltage outputs will stay within the regulation band as measured at the terminal outputs due to any combination of the following conditions:

- Input voltage fluctuations
- Specified load range
- Centering
- Specified environmental conditions
- Changing load steps

4.2.1 Output voltage load regulation

The following table summarizes the allowable output voltage tolerances for each output rail.

DC Nominal Output	Output Voltage Tolerance
+12V DC	± 5%
+5V DC	± 5%
+3.3V DC	± 5%
-5V DC	± 10%
-12V DC	± 10%
5V SB	± 5%

Table 2. DC Output Tolerance Specifications

4.2.2 Output Voltage Line Regulation

The following table specifies line regulation as measured from minimum to maximum load including the transient response requirements as detailed in this document.

DC Nominal Output	Output Voltage Tolerance
+12V DC	± 1%
+5V DC	± 1%
+3.3V DC	± 1%
-5V DC	± 1%
-12V DC	± 2%
5V SB	± 1%

Table 3. DC Output Tolerance Specifications

4.2.3 Cross Regulation

The power supply DC outputs perform within all line and load specifications regardless of the static or transient loads on any of the outputs.

4.3 Efficiency

63% minimum at 115VAC, 450W output.

4.4 Output Periodic And Random Deviation (PARD)

There are two types of noise (PARD) specifications to be considered on the power supply; Common Mode and Differential Mode. Common mode is referred to as noise that is common between the specified voltage output and the associated ground line. Differential mode refers to noise that is only measured on the specified DC voltage output. In either case, noise is within the frequency range of 10 Hz – 20MHz and specifications are rated over the full output range for the power supply. Tables 4 and 5 provide the details for this specification.

4.4.1 Common Mode PARD (Noise)

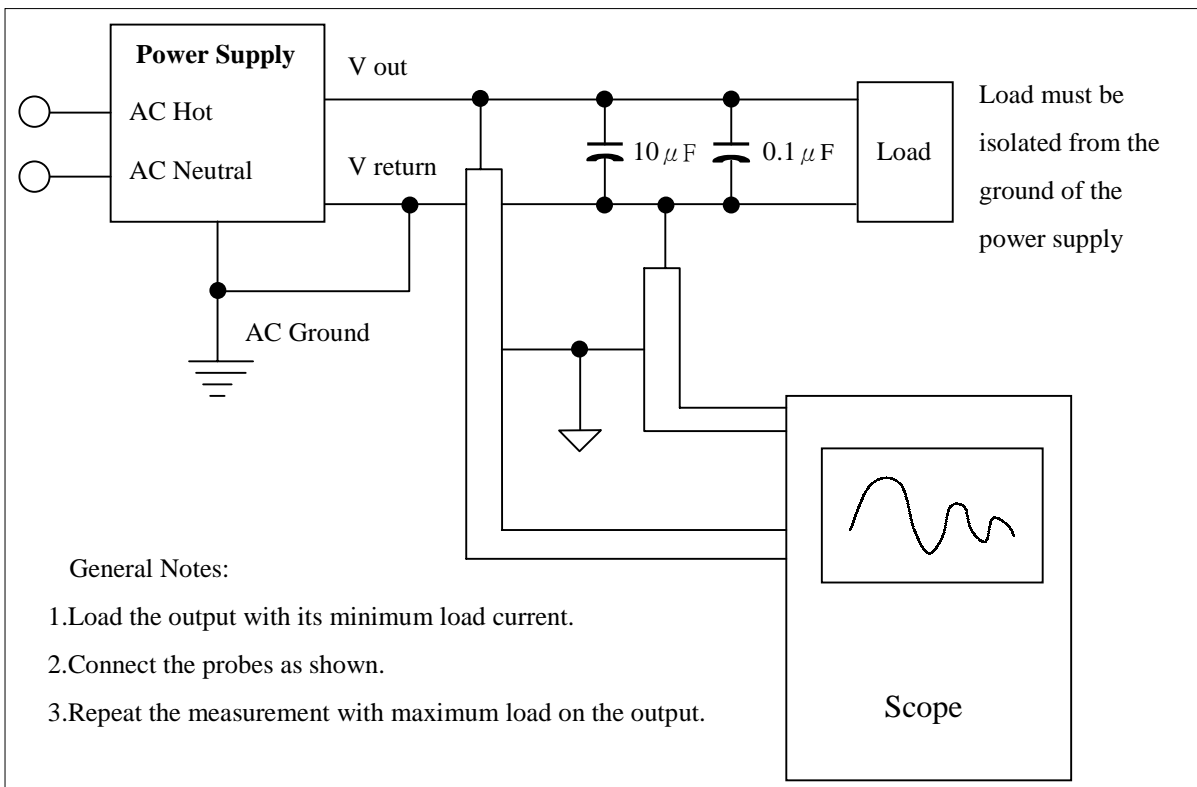
DC Output	Common Mode PARD Specification
+12V DC	≤ 240mv(pk-pk)
+5V DC	≤ 100mv(pk-pk)
+3.3V DC	≤ 100mv(pk-pk)
-5V DC	≤ 100mv(pk-pk)
-12V DC	≤ 240mv(pk-pk)
5V SB	≤ 100mv(pk-pk)

Table 4. DC Output Common Mode PARD Specifications

4.4.2 Differential Mode PARD (Ripple)

DC Output	Differential Mode PARD Requirement
+12VDC	$\leq 120\text{mv(pk-pk)}$
+5VDC	$\leq 50\text{mv(pk-pk)}$
+3.3VDC	$\leq 50\text{mv(pk-pk)}$
-5VDC	$\leq 50\text{mv(pk-pk)}$
-12VDC	$\leq 120\text{mv(pk-pk)}$
5VSB	$\leq 50\text{mv(pk-pk)}$

Table 5. DC Output Differential Mode PARD Specifications



4.5 Output Transient Response

The table below summarizes the output transient steps for each output. The Transient slew rate is $=0.5\text{A}/\mu\text{s}$.

DC Output	Maximum Step Size	Output Voltage Tolerance
+12VDC	50% of rated output	$\pm 5\%$
+5VDC	50% of rated output	$\pm 5\%$
+3.3VDC	30% of rated output	$\pm 5\%$
-5VDC	.1A	$\pm 10\%$
-12VDC	.1A	$\pm 10\%$
5VSB	.1A	$\pm 5\%$

Table 6. DC Output Transient Response Specifications

4.6 Close-loop Stability

The power supply is unconditionally stable under all line/load/transient load conditions including capacitive loads specified in Table 7. A minimum of 45 degrees phase margin and 10 dB gain margin is at both the maximum and minimum loads.

DC Output	ATX12V Capacitive Load (μF)
+12 VDC	20,000
+5 VDC	10,000
+3.3 VDC	6,000
-5 VDC	350
-12 VDC	350
5 VSB	350

Table 7. Output Capacitive Loads

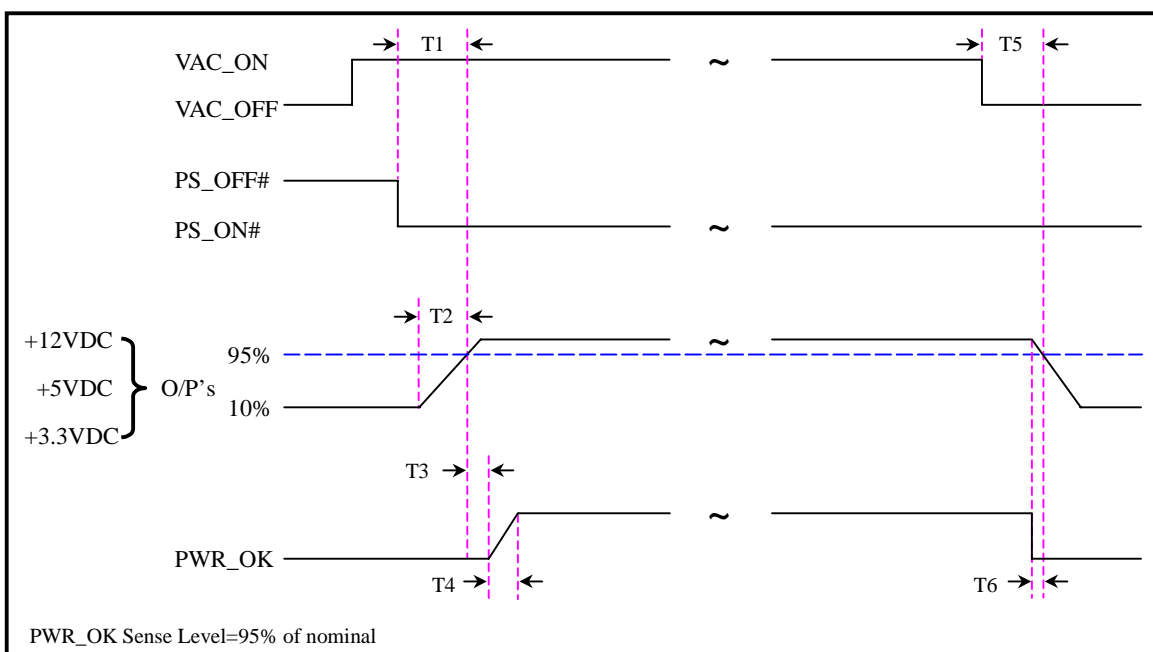
4.7 Voltage Hold-up Time

All output will stay within regulation for at least 16.6ms after an AC line voltage failure is detected at nominal line (115VAC or 230VAC) under full load condition.

4.8 Power Sequencing

All outputs, regardless of loading, turn on within 50ms of each other. The 5VSB output is in regulation for a minimum of 10ms prior to the other output rails reaching regulation.

4.9 Timing / Housekeeping / Control



$T1 < 100\text{ms}$	T1 : Power-on Time
$0.1\text{ms} \leq T2 \leq 25\text{ms}$	T2 : Rise Time
$100\text{ms} < T3 < 500\text{ms}$	T3 : PWR_OK Delay
$T4 \leq 10\text{ms}$	T4 : PWR_OK Risetime
$T5 \geq 16\text{ms}$	T5 : AC Loss to PWR_OK Hold-up Time
$T6 \geq 1\text{ms}$	T6 : Power-down Warning

Figure 1 Power Supply Timing

4.9.1 PWR_OK

The power supply accepts a logic collector level which will disable/enable all the output voltages. As the logic level is low, output voltages are enable; As the logic level is high, output voltages are disable. The definition of logic low/high level is as:

High Level: 2.50V ~ 5.25V while sourcing 0.4mA maximum

Low Level: 0.0V ~ 0.50V while sinking 5.0mA maximum

Rise Time: 3.0ms maximum (10.0% ~ 90.0%)

4.9.2 PS_ON# Signal

The power supply provides an internal pull-up to TTL high. The power supply also provides debounce circuitry on PS_ON# to prevent it from oscillating on/off at startup when activated by a mechanical switch. The DC output enable circuitry is SELV-complaint.

	Min.	Max.
V _{IL} , Input Low Voltage	0.0V	0.8V
V _{IL} , Input Low Current (V _{in} = 0.4 V)		-1.6mA
V _{IH} , Input High Voltage (I _{in} = -200 μA)	2.0V	
V _{IH} , open circuit, I _{in} = 0		5.25V

Table 8. PS_ON# Signal Characteristics

4.9.3 +5VSB

The +5VSB is capable of delivering a maximum of 2.5A at +5V ± 5% to external circuit. The power supply +5VSB is with overcurrent protection.

4.9.4 Power-on Time

The power-on time is less than 100ms (T1 < 100ms). The +5VSB has a power-on time of two seconds maximum after application of valid AC voltages. (Figure 1)

4.9.5 Output Risetime

The output voltages rise from $\leq 10\%$ of nominal to within the regulation ranges within 0.1ms to 25ms ($0.1\text{ms} \leq T_2 \leq 25\text{ms}$). (Figure 1)

4.9.6 Overshoot at Turn-on / Turn-off

Any overshoot at turn on or turn off is under 10% of the nominal DC output voltage with further stipulation that all DC outputs are within their specified DC voltage ranges before the generation of the power good signal. Additionally, no voltage may undershoot or overshoot once the power good signal has been asserted.

4.9.7 Reset after Shutdown

The power supply latches into a shutdown state because of a fault condition on its outputs, the power supply returns to normal operating after the fault has been removed and the PS_ON# (or AC input) has been cycled OFF/ON with a minimum OFF time of 1 second.

4.10 Output Protection

Each DC output is protected from over voltage, over current and short circuit. The following sections include the details for these protection mechanisms.

4.10.1 Over Current Protection

The power supply DC outputs are protected from supplying output current above the maximum ratings defined in Table 1, and when output power is between 110%~150%. With the exception of the 5VSB output, all DC outputs are latched off in the event of an over-current event on any of the DC outputs. In the event of a short circuit on any output, except the 5VSB rail, all outputs are disabled and remain disabled until the power supply is powered off back on. The 5VSB rail will recover upon removal of the over current condition.

4.10.2 Over Voltage Protection

The overvoltage sense circuitry and reference reside in packages that are separate and distinct from the regulator control circuitry and reference. No single point fault is able to cause a sustained overvoltage condition on any or all outputs. The power supply provides latch-mode overvoltage protection defined as:

+5V output is between 5.8V to 6.3V

+12V output is between 14.0V to 17.0V

+3.3V output is between 3.6V to 4.2V

4.10.3 Short Circuit Protection

The power supply DC outputs are protected from damage due to faults, when any output shorts to ground. In the event of a short circuit on any output, all outputs shall be disabled and remain disabled until the power supply is powered off and back on. The 5VSB rail will recover upon removal of the over current condition.