

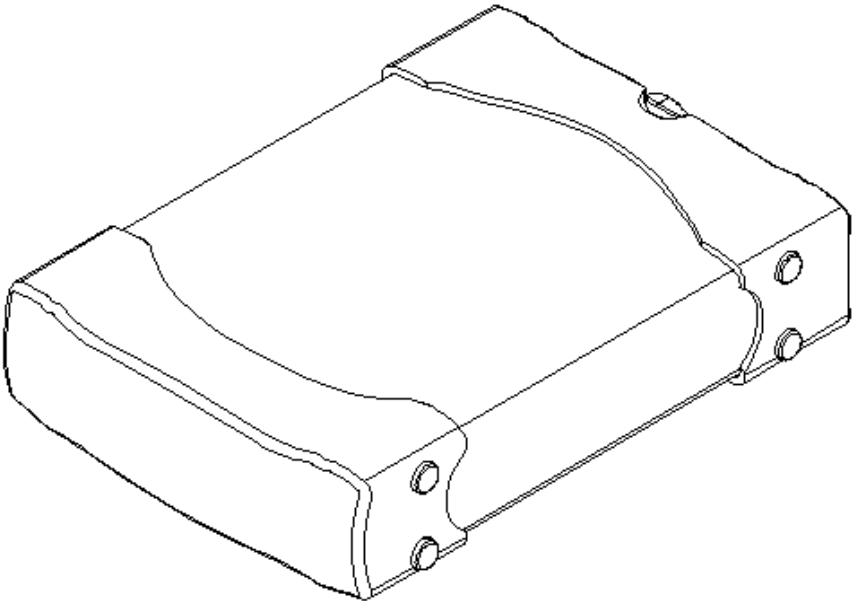
TravelBox user's Manual

Model:

TravelBox USB2.0 (ST-2312 B2)

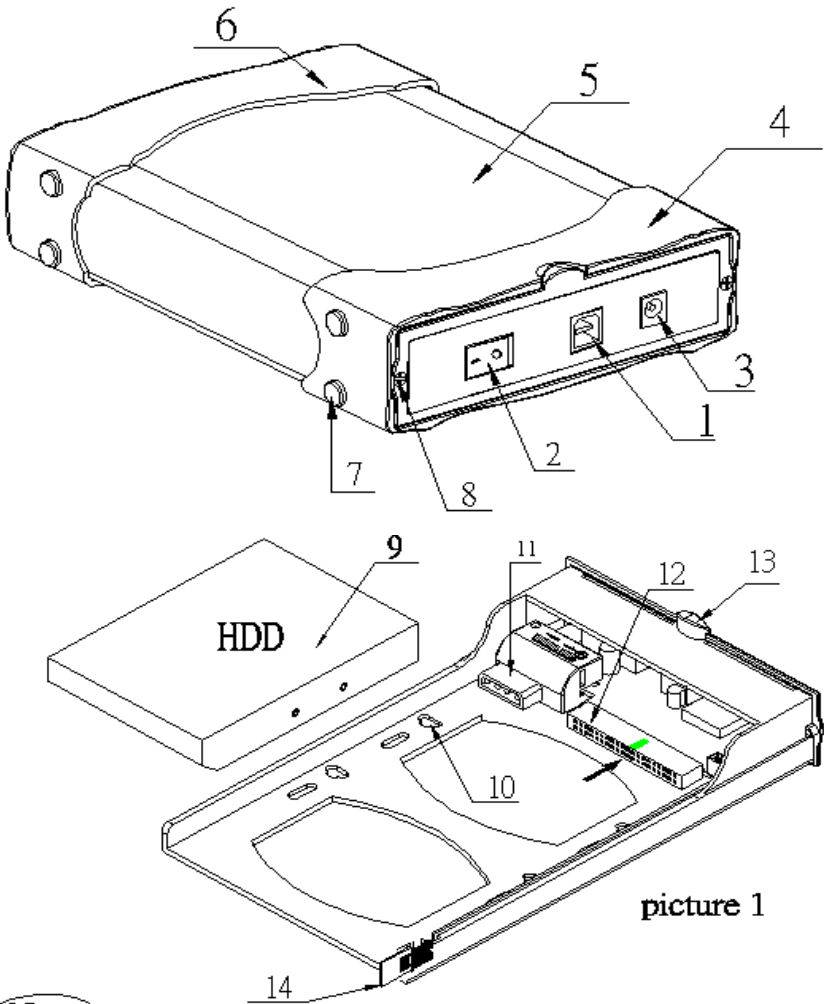
TravelBox IEEE1394 (ST-2312 F)

TravelBox COMBO(USB2.0 + IEEE1394) (ST-2312 C)



--- Product features ---

- * Aluminum structure, light and convenient for data in/out
- * Slim/Compact/Portable and easy installation for 3.5" HDD
- * Support Plug and Play with high performance transfer rate
- * Worry free for heat and radiation.



picture 1

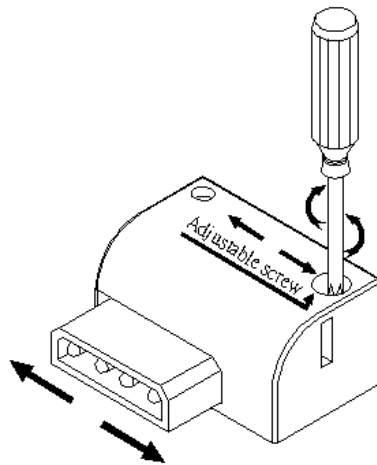
Note:

HDD connector (male) has to meet with the ATA Data connector on the PCB precisely !

- 1. Data Input 2. Power SW 3. DC Input 4. Rear cover
- 5. Aluminum Box 6. Front cover 7. Cushion pad 8. Screw
- 9. IDE HDD 10. Screws holes
- 11. Adjustable screw connector (5V/12V Power)
- 12. ATA Data connector 13. Press button
- 14. LED (Green: power on, Orange blinking : HDD access.)

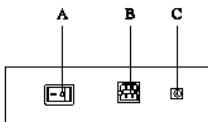
--- INSTALLATION ---

1. Loosen the two screws(see No.8) from the rear plate.
2. Connect your HDD to the ATA data connector (see No.12).
3. Connect the Adjustable Power connector (5V/12V) to your HDD(see No.11).
The screw on power inlet is adjustable. Adjust the Power connector left/right meet the different HDD connector pitch. (see picture2) then tighten the to screw again.
4. Use the enclosed screws to hold HDD on the tray.
5. Slide back the tray into the aluminum box and tighten the two screws on the rear plate (No.8).

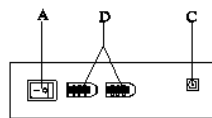


picture 2

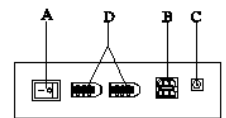
Rear View



USB2.0



IEEE1394

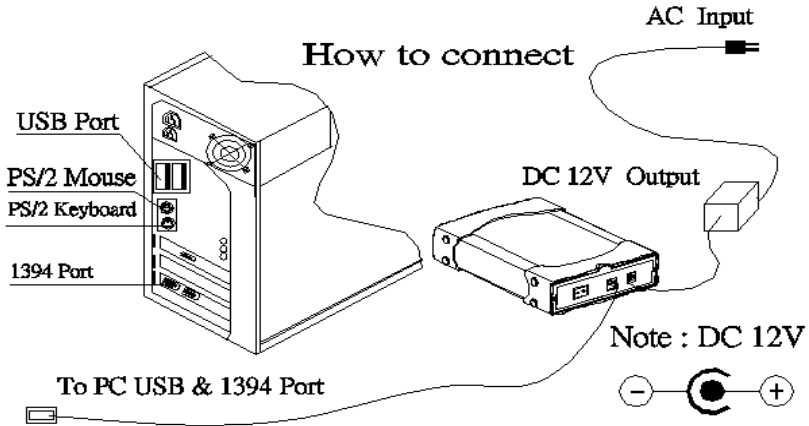


COMBO(USB2.0+1394)

- A) Power SW
- B) USB Port
- C) DC Input
- D) 1394 Port

--- Connect to your PC ---

1. Link the data cable to connect ports of Travelbox and PC.
2. If your device is USB type, use the USB data cable for connection.Or use the 1394(firewire) cable if your device is IEEE 1394 (firewire) type.
3. Connect the DC 12V power.
4. Installation finish.



Power specs:

Input :100-240V/AC, 0.6A

Output: 12V/DC, 1.7A

LED indication:

A) Power on: Green

B) Access: Orange(blinking)

System requirement:

* Windows 98SE/ME/2000/XP, Mac 9.0 & higher.

Note:

* LED lit on but it does not work-

Check the I/O switch to see if the power is working normally .The standard current output is 12V. if other power adapter is applied, be sure to check the +/- current. When the power adapter is connected reversed, it can lead to data loss, breakdown and unexpected problems.

* Verify if the driver is installed properly, if the driver isn't installed completely , you have to remove the driver and then install it again .

HARDWARE INSTALLATION

Step 1: Boot-up your computer into the operation system, make sure the USB2.0 port device has installed and available in operation system.

Step 2: Plug the port connector of the USB cable into the USB port of **TravelBox**.

Step 3: Plug the port connector of the USB cable into USB port of computer.

Step 4: Plug the AC power cord to the inlet of your USB2.0 External Drive and power on the drive. **TravelBox** will be ready for use.

Step 5: Follow the Software Installation for the next.

Software Installation

A) Windows 98SE:

When you plug your device into the USB2.0 controller, the OS should determine a new device has been plugged in and will bring up the new hardware wizard window. From here you will need to specify the location of the driver and then browse to the location where you have modified the .inf file. The OS will search through the .inf file and find your VID/PID. From this information it will know how to load the Cypress driver. If the hardware functions properly, the device should now be ready for use. If the new drive doesn't appear in [My Computer], it means **TravelBox** is a whole new hard disk drive which doesn't contain any partition, please refer to the < Partition the **TravelBox** > chapter to prepare your USB2.0 Hard Disk.

B) Windows Me,2000 and XP

Step 1: When you plug the **TravelBox** into your computer at the first time, the system will detect USB2.0 Storage Device and install the driver of [USB Mass Storage Device] from system files automatically.

Step 2: After the system installed the driver of USB mass storage device. Double click on [My Computer], a new Disk drive is added in a few seconds, it is

TravelBox which is just installed. **TravelBox** is supported by Mass Storage Device in windows Me/2000 system directly. You don't need to install any driver. If the **TravelBox** is a whole new disk drive which doesn't contain any partition. please refer to the <Partition the **TravelBox**> chapter to prepare your USB2.0 External Disk.

Mac OS

Step 1: After the system boots up , insert the USB2.0 Install Disk in your floppy drive. Double click the "USB2.0 SETUP " icon, and double click "USB installer" icon.

Step 2: After connecting the **TravelBox** to USB port of computer, the [Add New Hardware Wizard] dialog box appears right.

Step 3: Click on [Next], select [The best driver for your device], and click on [Next].

Step 4: elect [CD-ROM or HDD] and click on [Next], a screen should be appears as right, click on [Next].

Step 5: After the needed files are copied into your main hard disk, the screen appears as right, click on [Finish] to complete the process.

Step 6: After the system install the link driver into your system. Double click on [My Computer], a new Disk drive is added , it is **TravelBox** which is just installed. A green Unplug or Eject hardware icon will appear in system tray.

--- Partition the **TravelBox** ---

Boot-up the computer into Windows 98SE/ME system. Plug your USB2.0 Hard Disk Drive. There are two methods to partition and format your USB2.0 Hard Disk Drive.

Method 1.

- Step 1: Click on [start], go to the [control panel] in [setting],double click [system] and open [hard disk]. A screen appears as right.
- Step 2: You can see the USB2.0 hard Disk you just added. Highlight the USB Hard Disk and choose the [property], select [setting] to set the **TravelBox** to [removable],
- Step 3: After restarting the system, a removable HDD is added to [My Computer]. Choose the removable HDD and click the right bottom of mouse. Select the [format] to format your **TravelBox** . You can only set the Travel Box to one partition in this method.

Method 2

- Step 1: Go into the MS-DOS mode by clicking on [Start], choose the [MS-DOS Prompt] in [Programs]
- Step 2: At the DOS prompt, type [FDISK] and press Enter.
- Step 3: If FDISK quits without any message, back to the Windows 98 screen,plug out the **TravelBox** , re-boot computer, plug in the **TravelBox** again and go back to step 1 to proceed.
- Step 4: In the first screen of FDISK, answer the question:
Do you want to enable large disk support ?
[Y] if you want to build a partition larger than 2GB.
[N] if you want to build a partition smaller than 2GB.
- Step 5: The next screen is [FDSIK OPTIONS], and type "5" to select disk.

***** IMPORTANT *****

You must type [5] in this screen to change the current fixed disk drive to build partition. the default fixed drive set by FDISK is your internal

hard disk, if you don't change the fixed disk drive to the USB2.0 Hard Disk, all the data of your internal hard disk will be destroyed.

Step 6: In the [Change Current Fixed Disk Drive], type the disk drive number that assigned to the USB2.0 Hard Disk.

Step7: Back to [FDISK OPTIONS] screen, Now you can create or delete the partition of the USB2.0 Hard Disk.

Step 8: After you finish FDISK, back to the Windows screen, plug out and plug in USB2.0 Hard Disk again to activate these changes, Double click on [My Computer] icon, the USB2.0 Hard Disk Drive that you already partitioned will appear.

Partition under Windows 2000

Step 1: To partition the USB2.0 Hard Disk Drive under Windows 2000, please plug The USB2.0 Hard Disk , then click on [Start], go to the [Control Panel] in [Settings], open [Administrative Tools], double click [Computer Management], A window appears as right.

Step 2: Click on [Disk Management] on the left part of this window, all connected disk drives will be listed in the right part. Find out the USB2.0 Hard Disk that you added. On the right of disk # is the status of the partitions of this disk drive, you can create a new or delete an existed partition by right-click on this area.

Step 3: Right-click on the right area of USB2.0 Hard Disk Drive, click on [Create Partition....]. the " Create partition wizard " will appears.

Step 4: Following the instructions of wizard to partition and format your **TravelBox**. Now, you have built a partition in the **TravelBox** , you can write data into it.